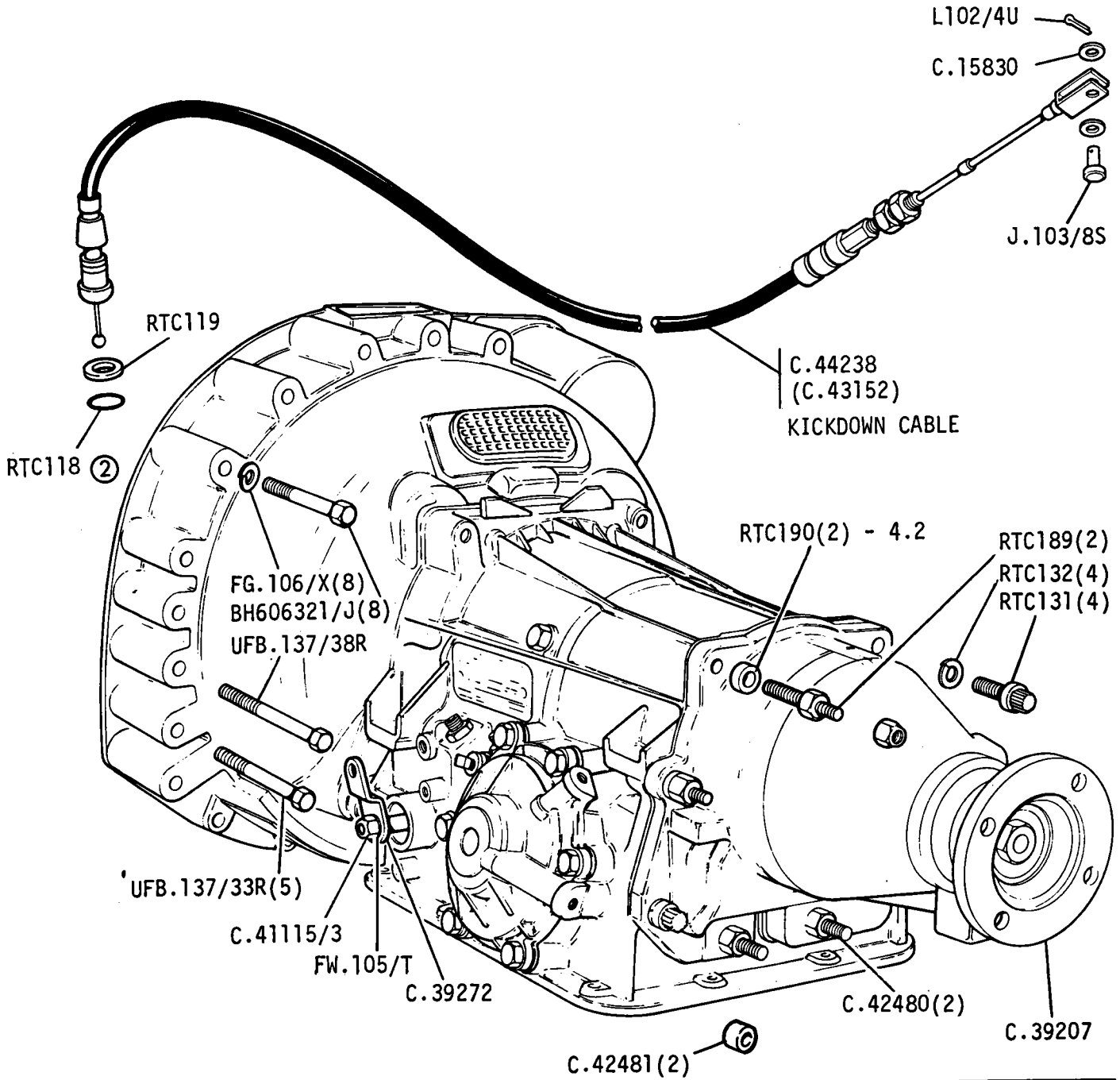


GROUP D
 AUTOMATIC GEARBOX - transmission unit and kickdown cable - MODEL 65 ① →



① 7L.83801

② Part of RTC137 'O' ring and seal kit

③ |8L.13670 not CDN/J/USA
 |8L.14790 CDN/J/USA

④ |8L.13671 not CDN/J/USA
 |8L.14791 CDN/J/USA

Gearbox and converter assy
 (supplied by Jag/Daimler Service)

C.43950/R - 3.4 litre

C.39169/R → ③ | 4.2 litre carbs
 C.44038/R → ④

EAC2080/R - Recond. | 4.2 litre
 EAC2080/N - New | fuel injection



Jaguar XJ6 series 2
 Daimler Sovereign series 2

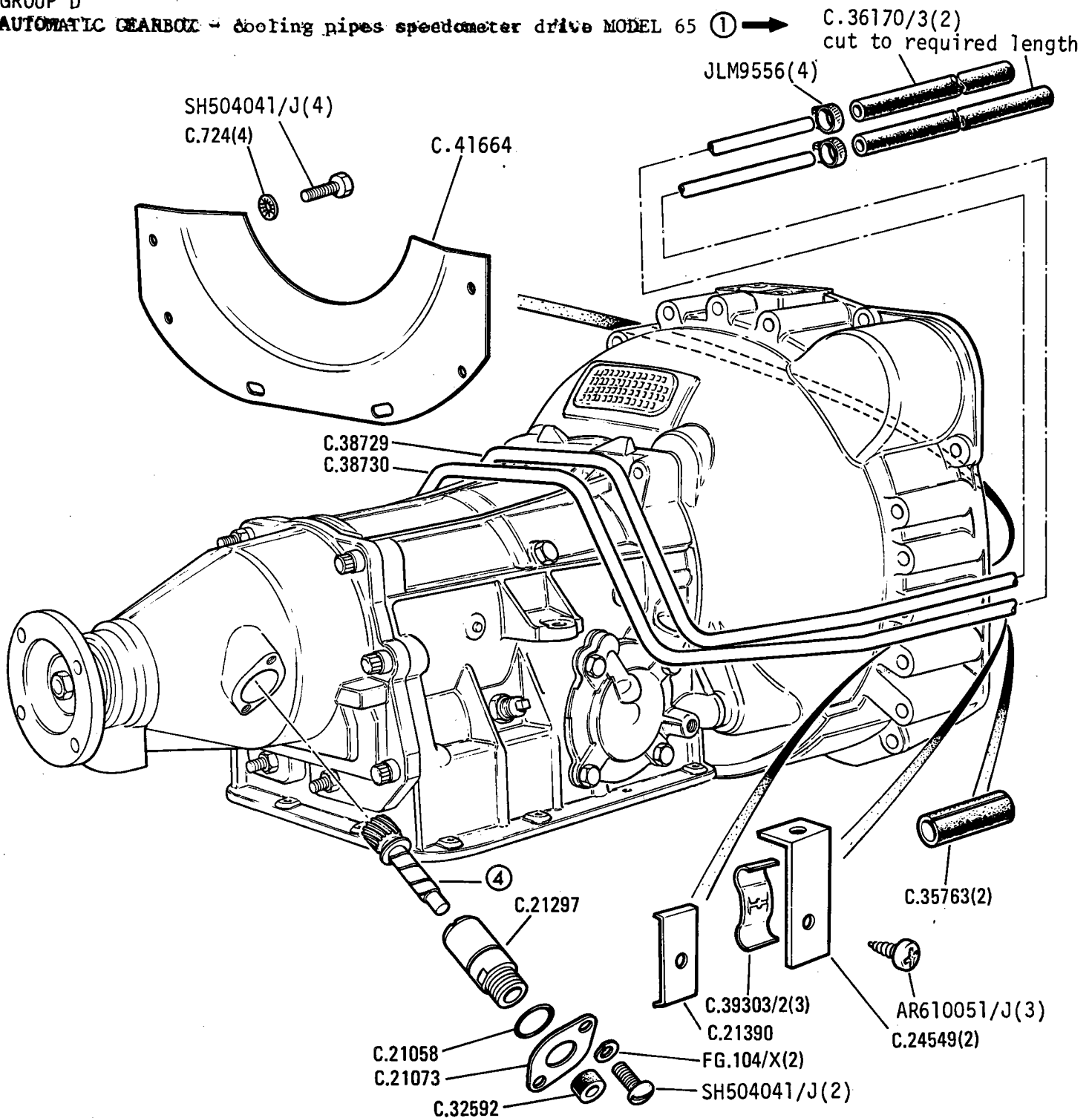
SM.5184

3.4 and 4.2 litre models

1F 14R

GROUP D

AUTOMATIC GEARBOX - cooling pipes speedometer drive MODEL 65



① 7L.83801

② 8L.13670 not CDN/J/USA
8L.14790 CDN/J/USA

③ 8L.13671 not CDN/J/USA
8L.14791 CDN/J/USA

④ C.43916-3.4(14 teeth 3.54:1 axle) Red

C.29521-4.2 → ②
C.43876-4.2(12 teeth 3.07:1 axle)
C.43877-4.2(13 teeth 3.31:1 axle)

③ → Yellow
Blue



Jaguar XJ6 series 2
Daimler Sovereign series 2

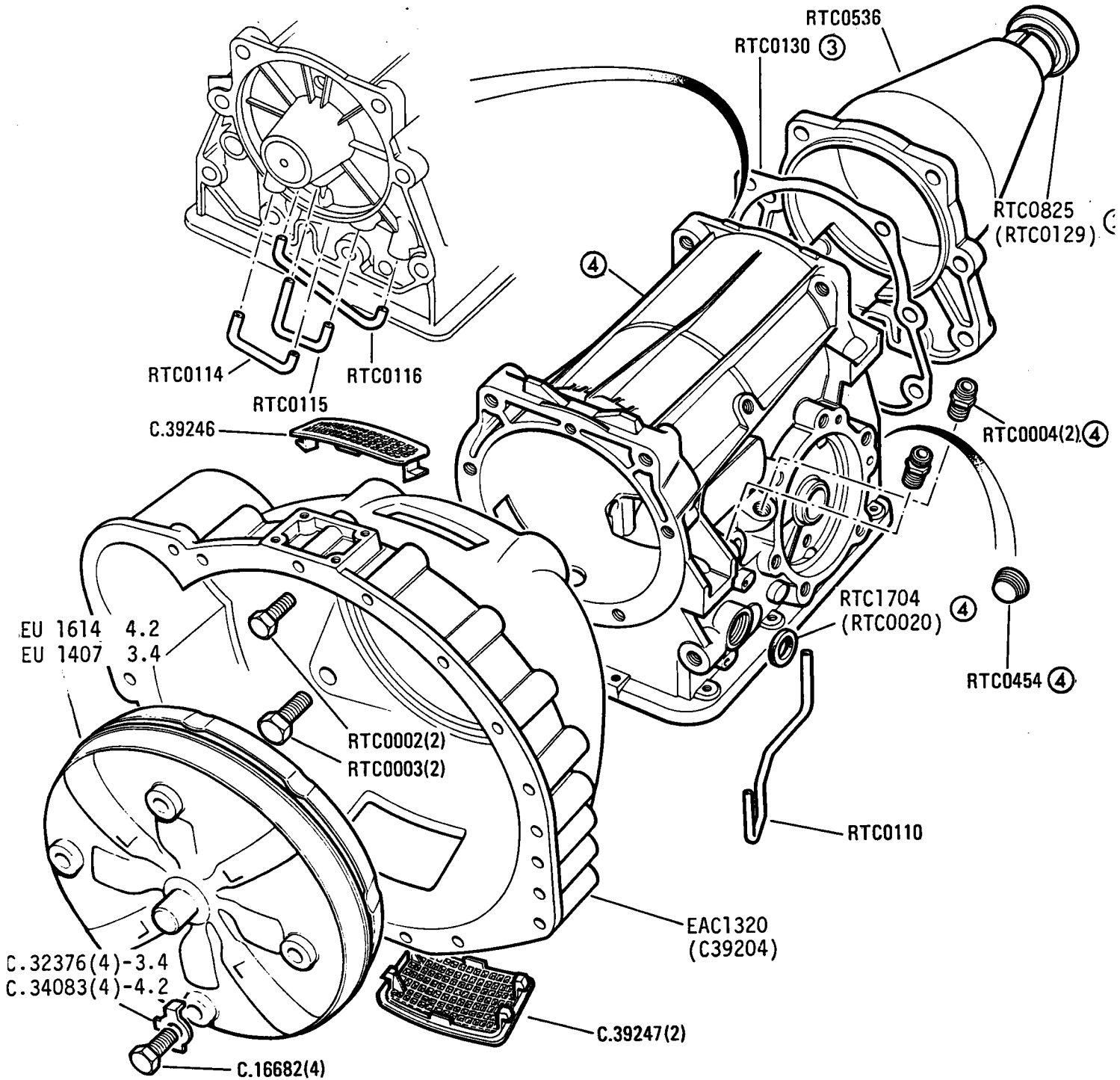
SM.5185

3.4 and 4.2 litre models

1F 15L

GROUP D

AUTOMATIC GEARBOX - converter housing, transmission case, rear housing MODEL 65 ① →



- ① - 7L.83801
- ② - part of RTC0137 o-ring and seal kit
- ③ - part of RTC0138 gasket kit
- ④ - part of RTC0542 transmission case kit



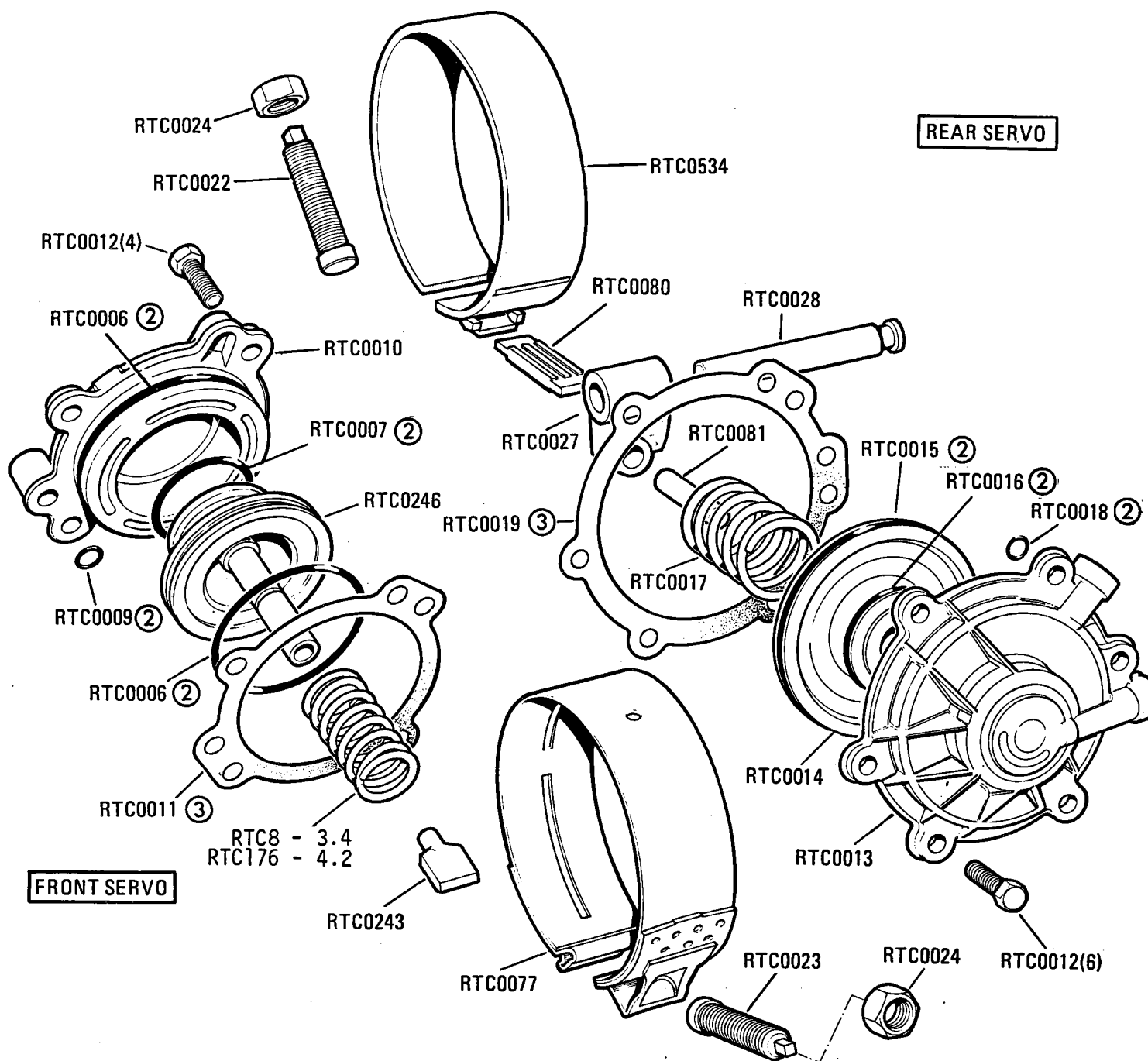
Jaguar XJ6 series 2
Daimler Sovereign series 2

SM.5186

3.4 and 4.2 litre models

1F 15R

GROUP D
 AUTOMATIC GEARBOX - servos, brake bands and struts MODEL 65 ① →



FRONT SERVO

REAR SERVO



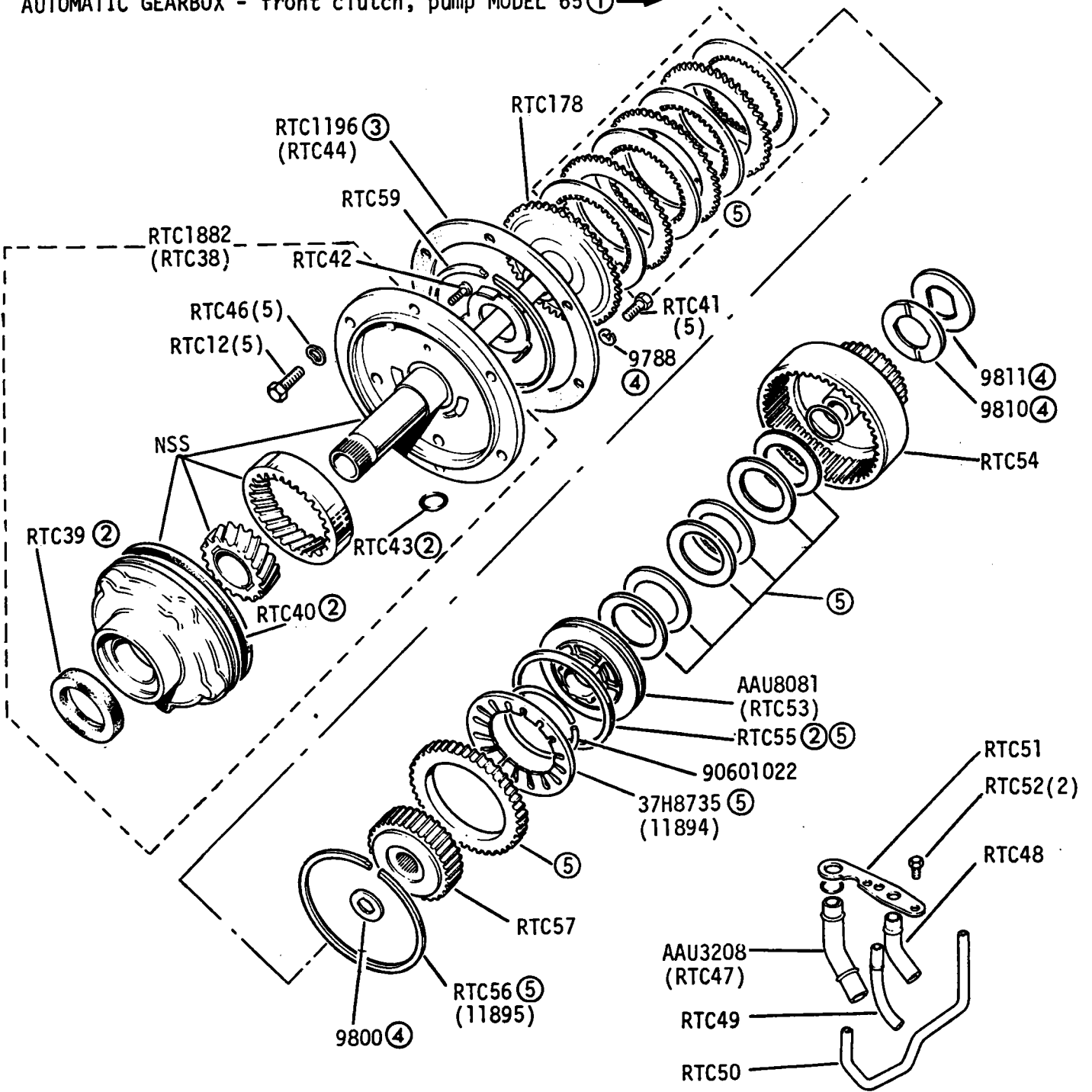
Jaguar XJ6 series 2
 Daimler Sovereign series 2

SM.5187

3.4 and 4.2 litre models

1F 16L

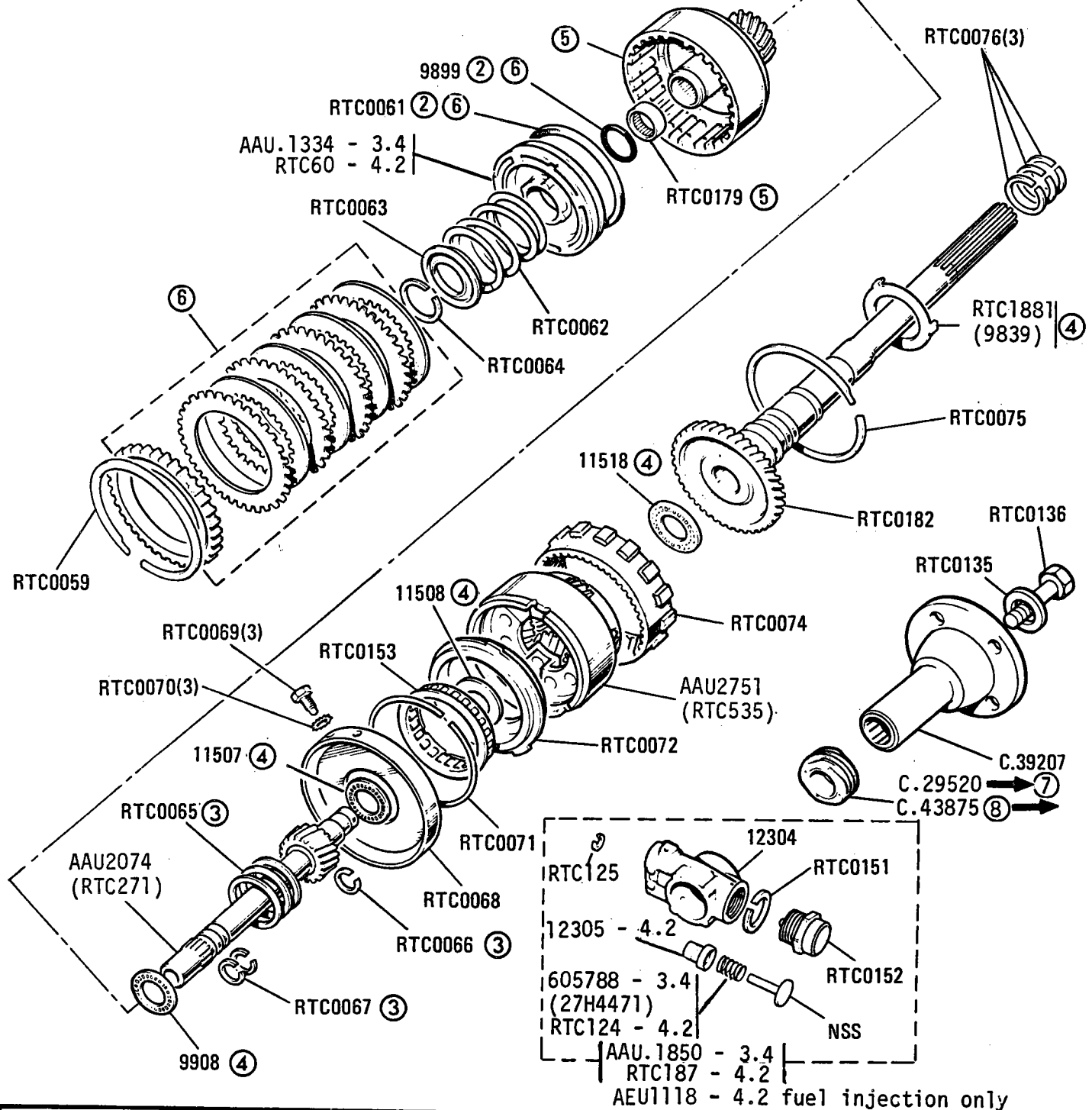
GROUP D
 AUTOMATIC GEARBOX - front clutch, pump MODEL 65 ① →



- ① 7L.83801
- ② part of RTC137 O ring and seal kit
- ③ part of RTC138 gasket kit
- ④ part of RTC140 thrust washer kit
- ⑤ part of RTC374 front clutch kit

GROUP D

AUTOMATIC GEARBOX - rear clutch, driven shaft, governor MODEL 65 ① →



① 7L.83801

② Part of RTC0137 o ring and seal kit

③ Part of RTC0139 piston ring kit

④ Part of RTC0140 thrust washer kit

⑤ Part of RTC368 front drum kit

⑥ Part of RTC191 rear clutch kit - 4.2
Part of AAU2912 rear clutch kit - 3.4

⑦ 8L.13670-4.2 not CDN/J/USA
8L.14790-4.2 CDN/J/USA

⑧ 8A.1001-3.4
8L.13671-4.2 not CDN/J/USA
8L.14791-4.2 CDN/J/USA



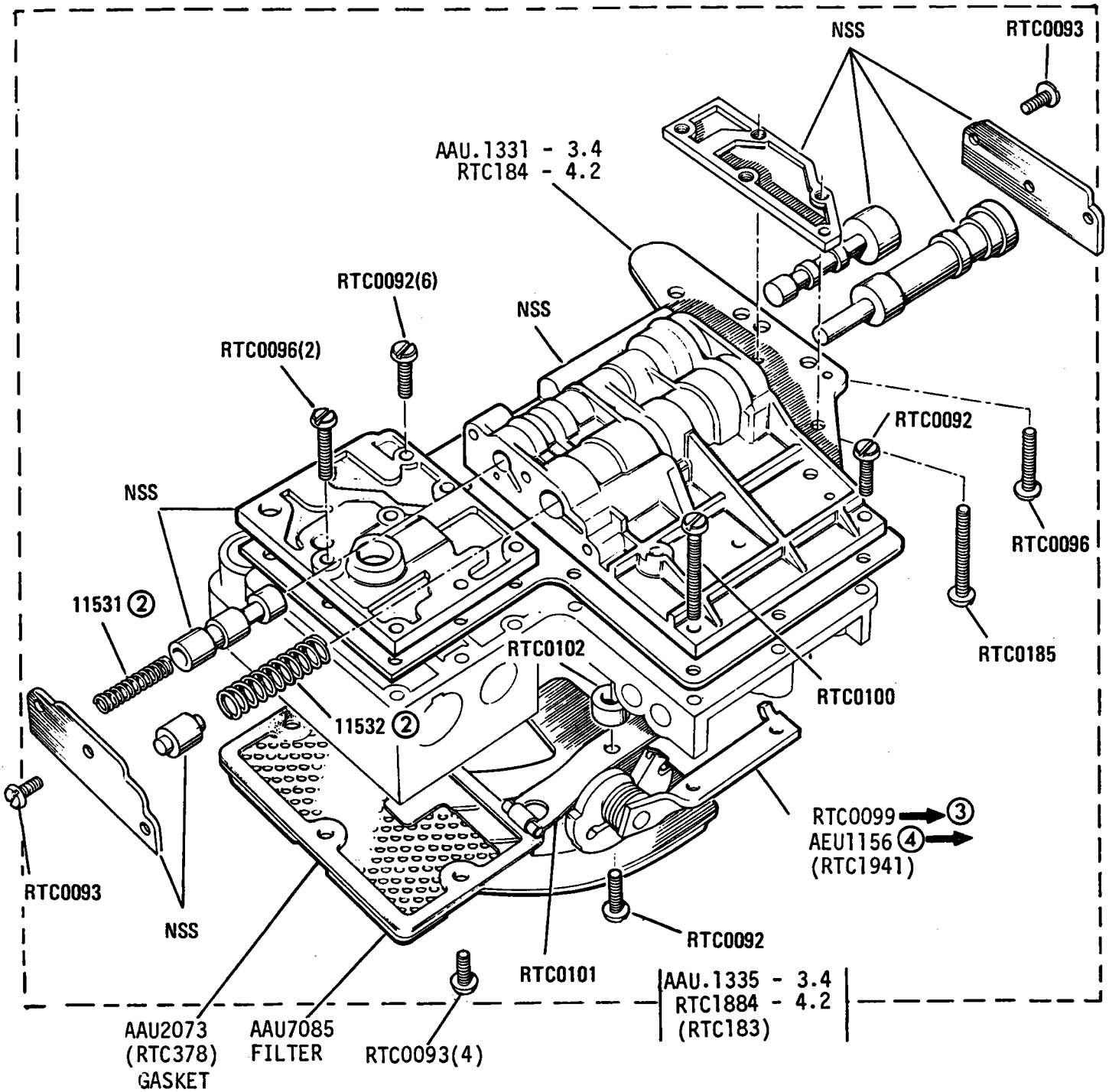
Jaguar XJ6 series 2
Daimler Sovereign series 2

SM.5189

3.4 and 4.2 litre models

1F 17L

GROUP D
 AUTOMATIC GEARBOX - upper valve body details MODEL 65 ① →



- ① 7L.83801
- ② part of RTC0192 valve body spring kit
- ③ 8L.13670-4.2 not CDN/J/USA
 8L.14790-4.2 CDN/J/USA
- 8A.1001-3.4
- ④ 8L.13671-4.2 not CDN/J/USA
 8L.14791-4.2 CDN/J/USA



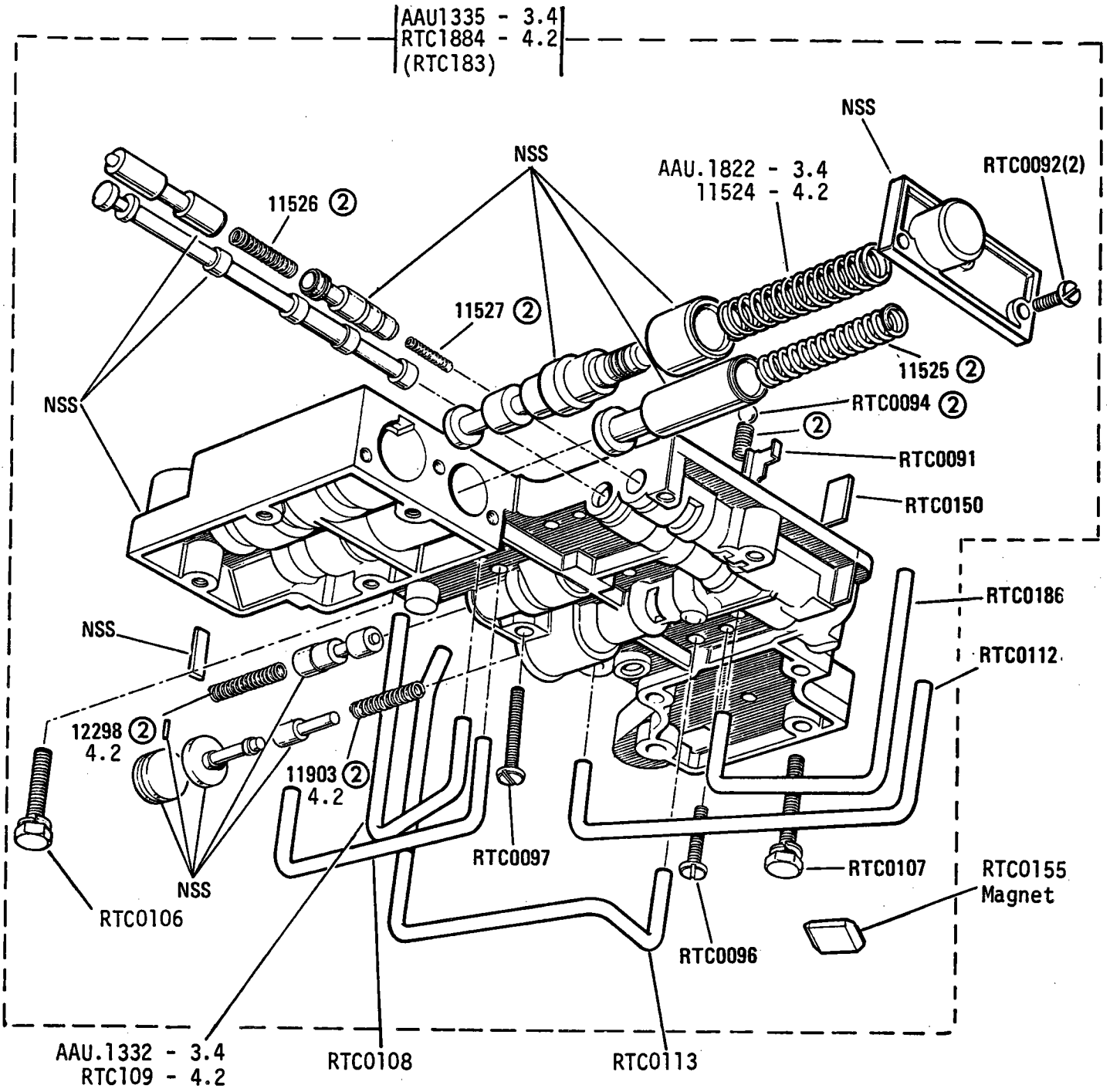
Jaguar XJ6 series 2
 Daimler Sovereign series 2

SM.5190

3.4 and 4.2 litre models

GROUP D

AUTOMATIC GEARBOX - lower valve body and rear servo tubes MODEL 65 ① →



- ① 7L.83801
- ② part of RTC0192 valve body spring kit



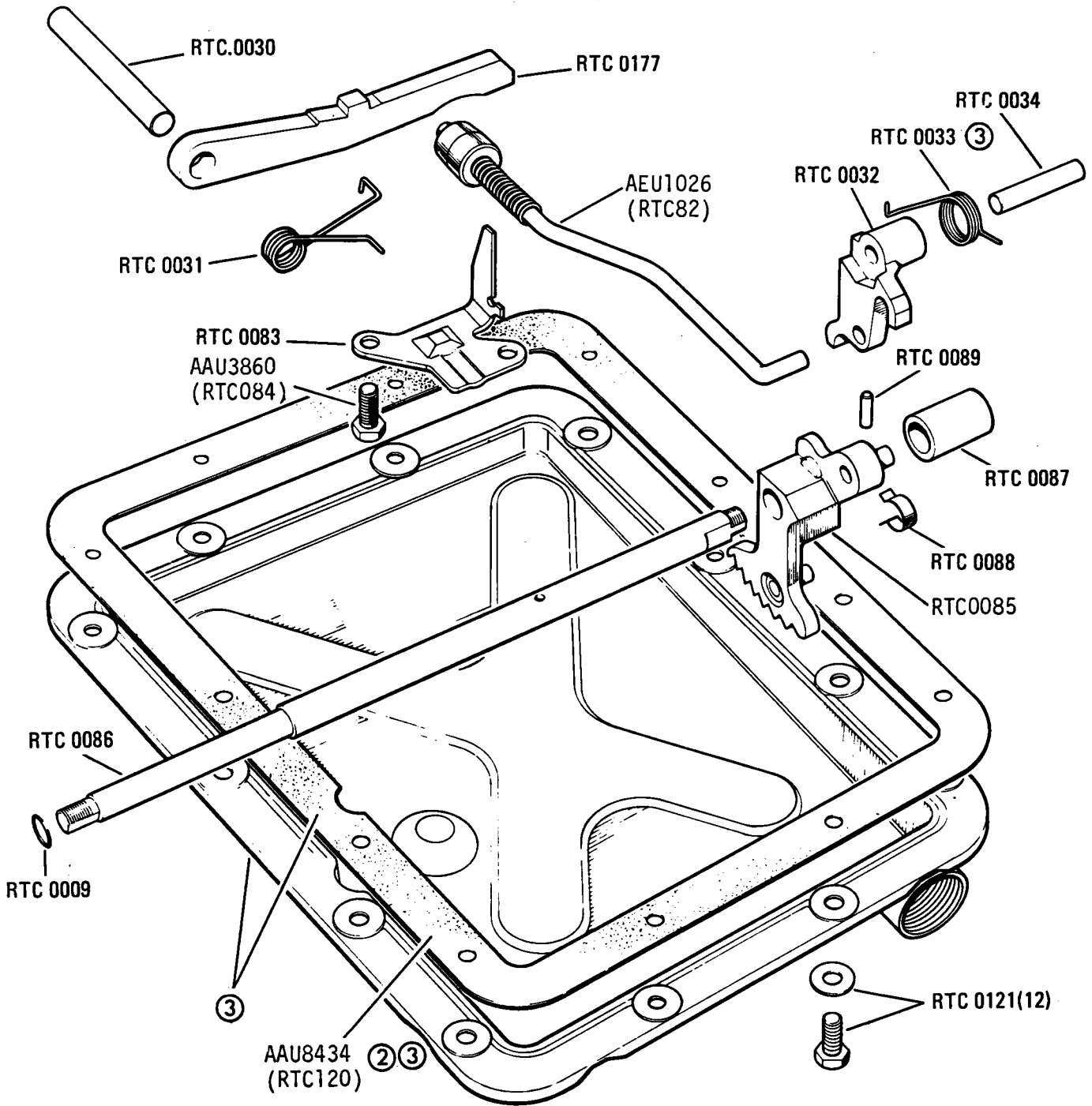
Jaguar XJ6 series 2
Daimler Sovereign series 2

SM.5191

3.4 and 4.2 litre models

1F 18L

GROUP D
 AUTOMATIC GEARBOX – oil pan - parking details MODEL 65 ① →



- ① - 7L.83801
- ② - part of RTC0138 gasket kit
- ③ - part of RTC0143 oil pan kit



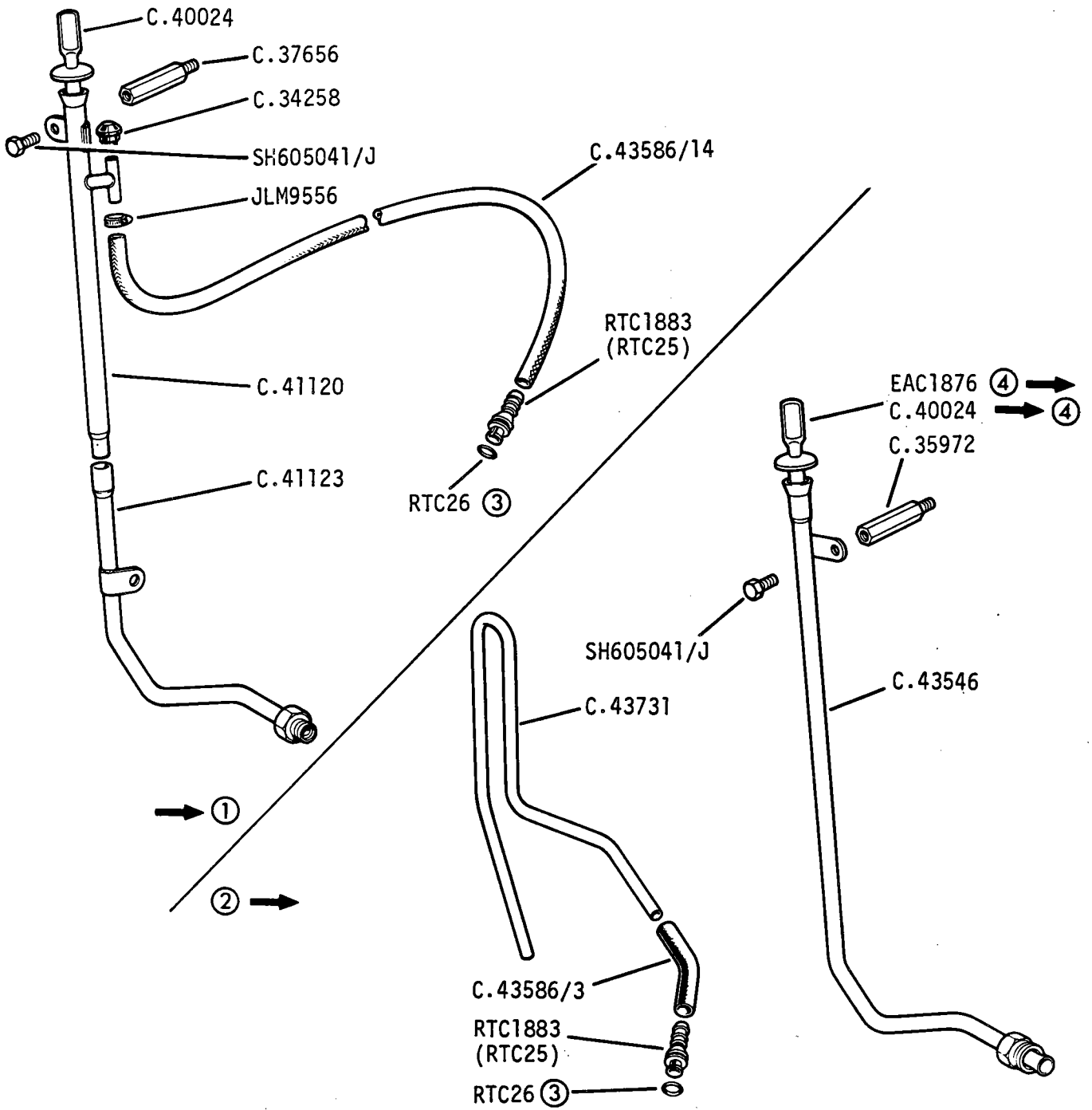
Jaguar XJ6 series 2
 Daimler Sovereign series 2

SM.5192

3.4 and 4.2 litre models

1F 18R

GROUP D
 AUTOMATIC GEARBOX - dipstick and breather - model 65



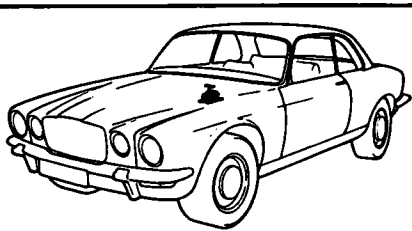
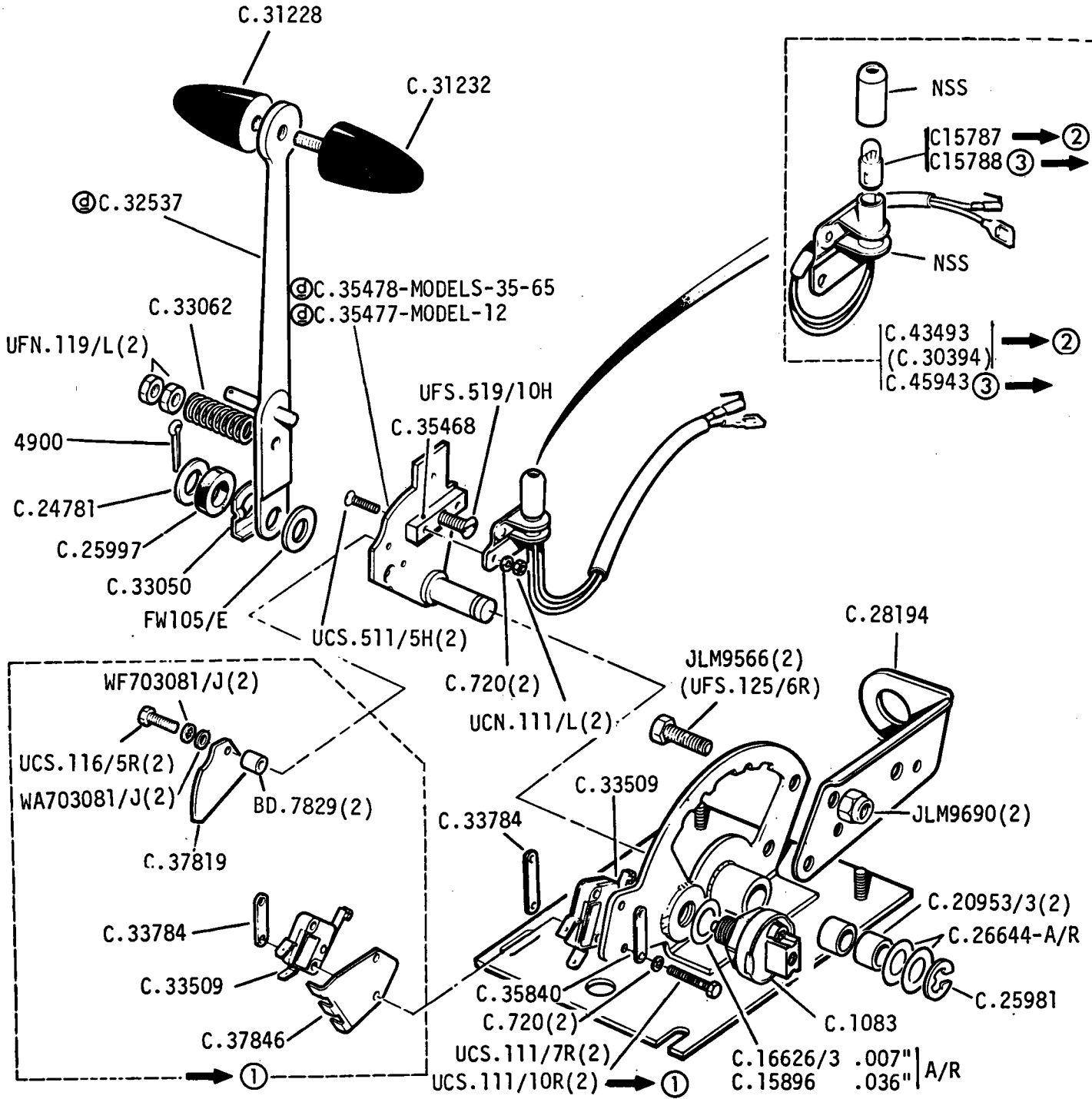
- ① | 8L.13670
8L.14790
- ② | 8L.13671
8L.14791
- ③ Part of RTC137 'O' ring and seal kit
- ④ 8L.53091 - 4.2L
8A.3646 - 3.4L



Jaguar XJ6 series 2
 Daimler Sovereign series 2

SM.5599

GROUP D
AUTOMATIC GEARBOX - controls



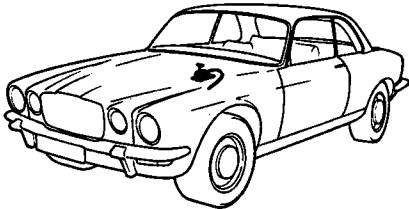
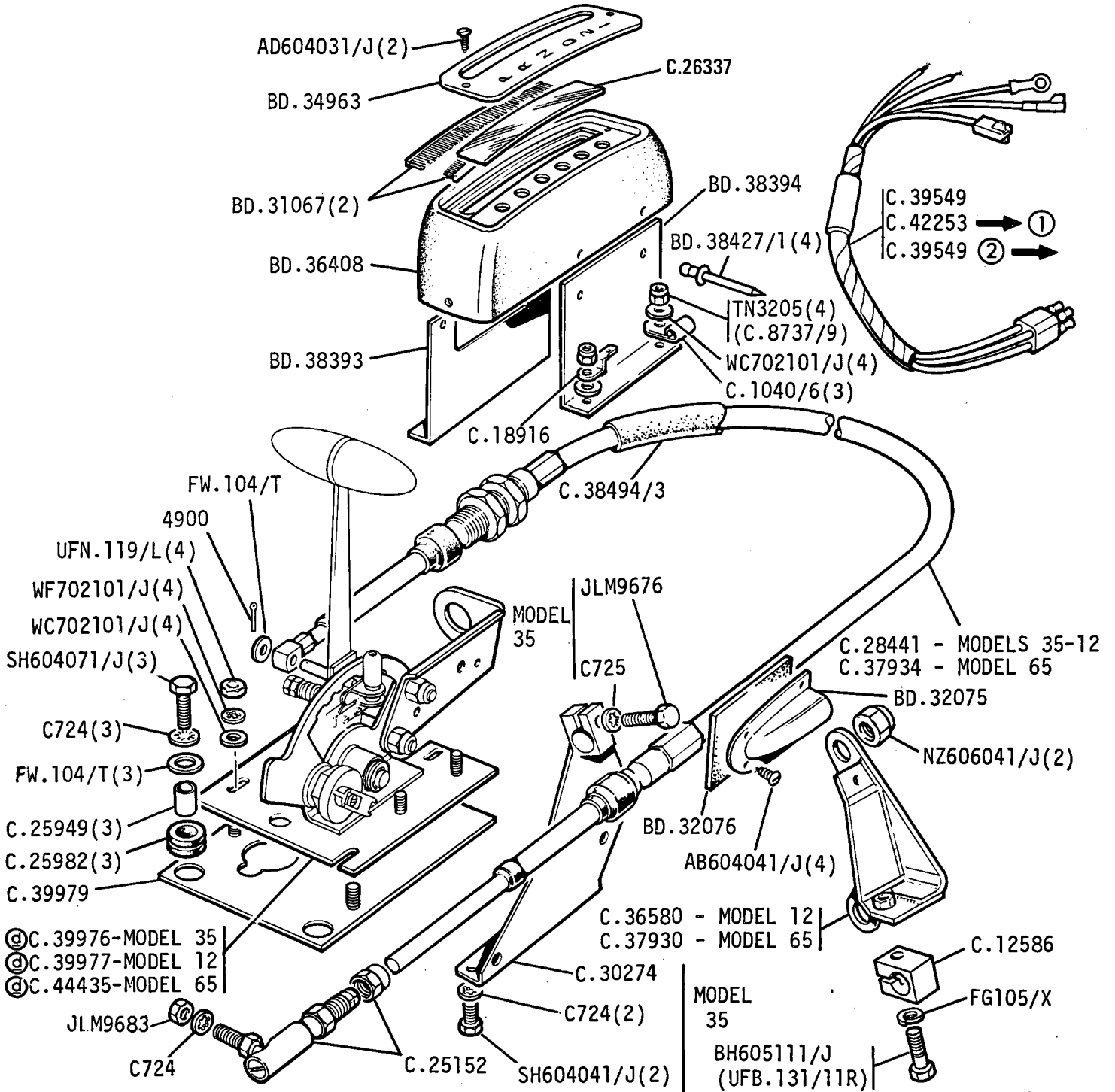
- | | | |
|---|----------|----------------------|
| ① | 2T.55844 | For sequential start |
| | 2J.50212 | CDN/J/USA only |
| | 3A.3362 | 2S.50257 |
| | 3A.50828 | 3C.1339 |
| | 3B.2215 | 3C.50002 |
| ② | 3B.50001 | ② 2J.2231 |
| | 2T.17229 | 2J.52541 |
| | 2T.61945 | 2H.1661 |
| | 2S.7364 | 2H.50043 |
| | | ③ 3A.3363 |
| | | 3A.50829 |
| | | 3B.2216 |
| | | ③ 3B.50002 |
| | | 2T.17230 |
| | | 2T.61946 |
| | | 2S.7365 |
| | | ③ 2S.50258 |
| | | 3C.1340 |
| | | 3C.50003 |
| | | ③ 2J.2232 |
| | | 2J.52542 |
| | | 2H.1662 |
| | | 2H.50044 |



Jaguar XJ6 series 2
Daimler Sovereign series 2

SM.5492

GROUP D
AUTOMATIC GEARBOX - controls



① | 2T.55843 | 2J.50211 | ② | 2T.55844 | 2J.50212 | CDN/J/USA



Jaguar XJ6 series 2
Daimler Sovereign series 2

SM.5493